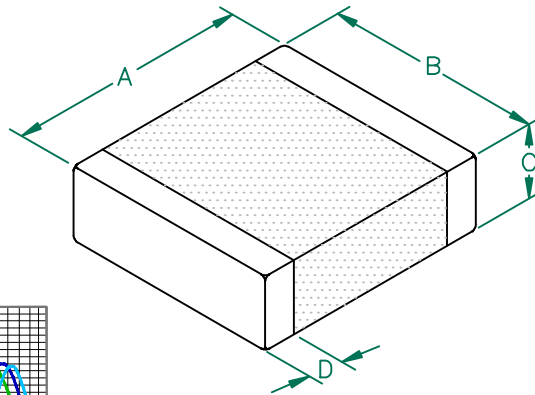


HI2220P551R-10

UNCONTROLLED DOCUMENT

PHYSICAL DIMENSIONS:

A	5.59 [.220]	+ 0.51 [.020]
B	5.08 [.200]	+ 0.25 [.010]
C	1.97 [.078]	+ 0.25 [.010]
D	0.76 [.030]	+ 0.25 [.010]



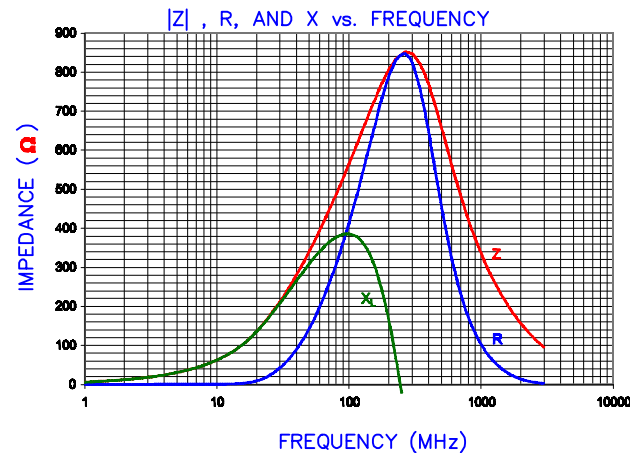
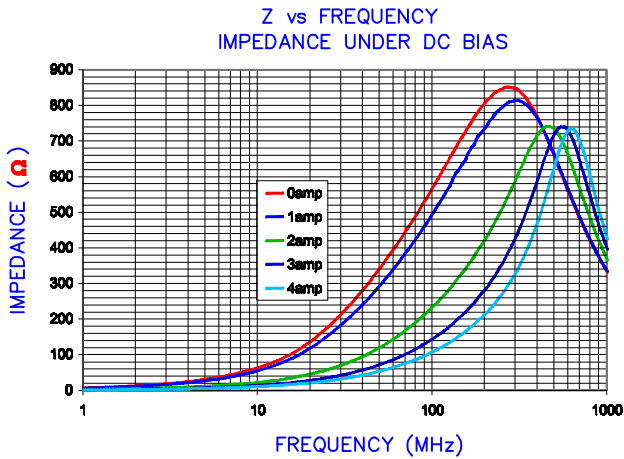
ELECTRICAL CHARACTERISTICS:

Z @ 100 MHz (Ω)		DCR (Ω)	Rated Current
Nominal	550		
Minimum	440		
Maximum	660	0.035	4000 mA

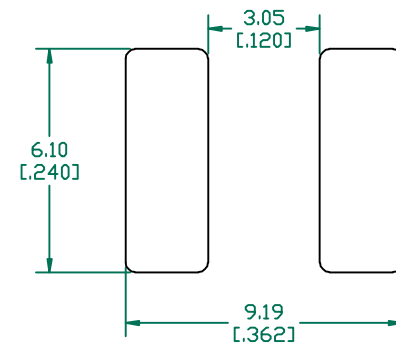
MIN. Z FROM 50MHz TO 1 GHz = 270 Ω .

NOTES: UNLESS OTHERWISE SPECIFIED

1. TAPED AND REELED per CURRENT EIA SPECIFICATIONS 13" REELS, 2,000 PCS/REEL.
2. TERMINATION FINISH IS 100% TIN.
3. COMPONENTS SHOULD BE ADEQUATELY PREHEATED BEFORE SOLDERING.

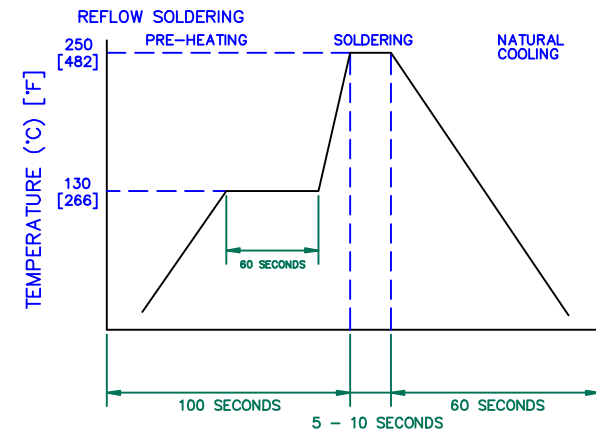


LAND PATTERNS FOR REFLOW SOLDERING



(For wave soldering, add 0.762 [.030] to this dimension.)

RECOMMENDED SOLDERING CONDITIONS



DIMENSIONS ARE IN mm [INCHES].		This print is the property of Laird Tech. and is loaned in confidence subject to return upon request and with the understanding that no copies shall be made without the written consent of Laird Tech. All rights to design or invention are reserved.		Laird TECHNOLOGIES	
PROJECT/PART NUMBER: HI2220P551R-10		REV B	PART TYPE: CO-FIRE	DRAWN BY: TMB	
B	UPDATE LOGO ADD ROHS SYMBOL	01/23/08	JRK	DATE: 03/26/04	SCALE: NTS
A	ORIGINAL DRAFT	03/26/04	TMB	CAD #	SHEET: 2 of 2
REV	DESCRIPTION	DATE	INT	CAD #	TOOL #
				HI2220P551R-10-B	